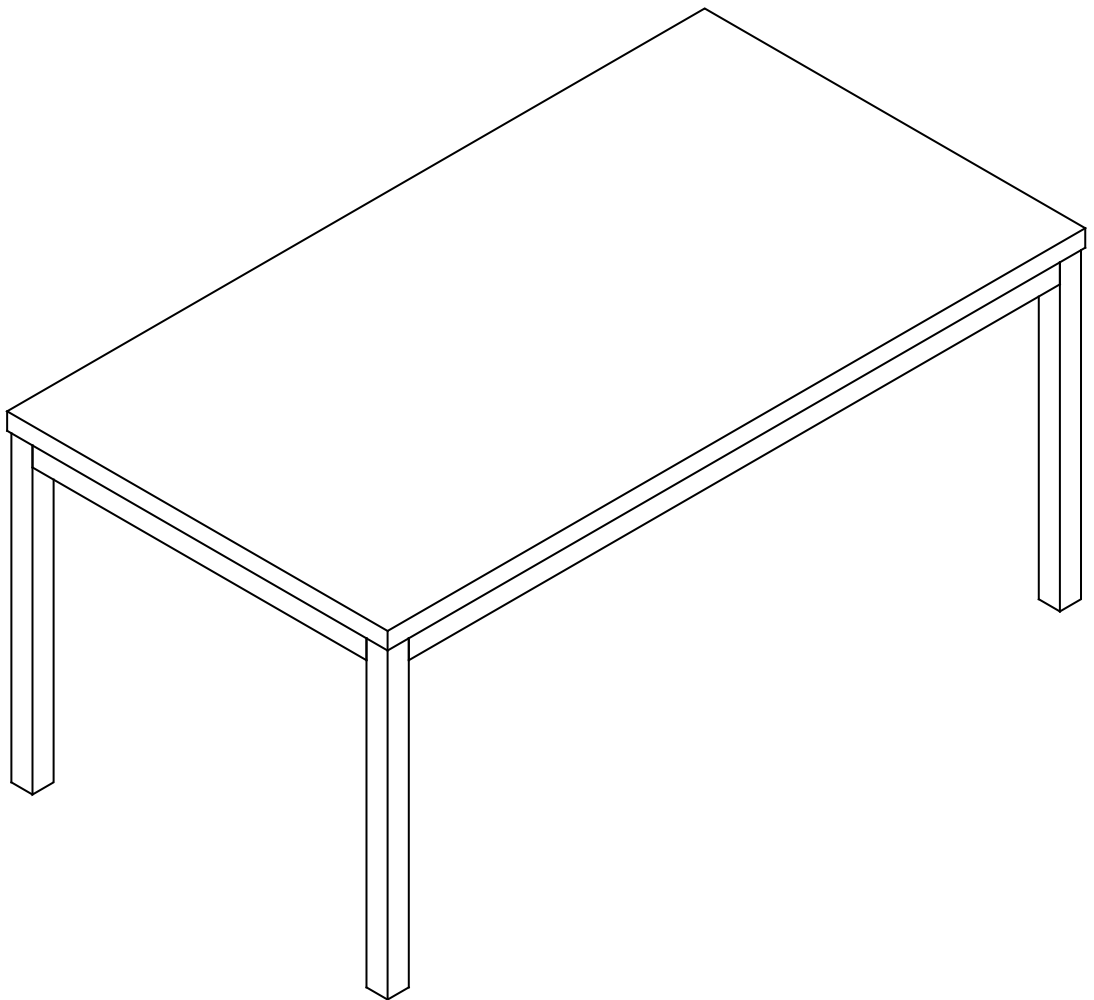


# Sadie

## 6 Seater Dining Table

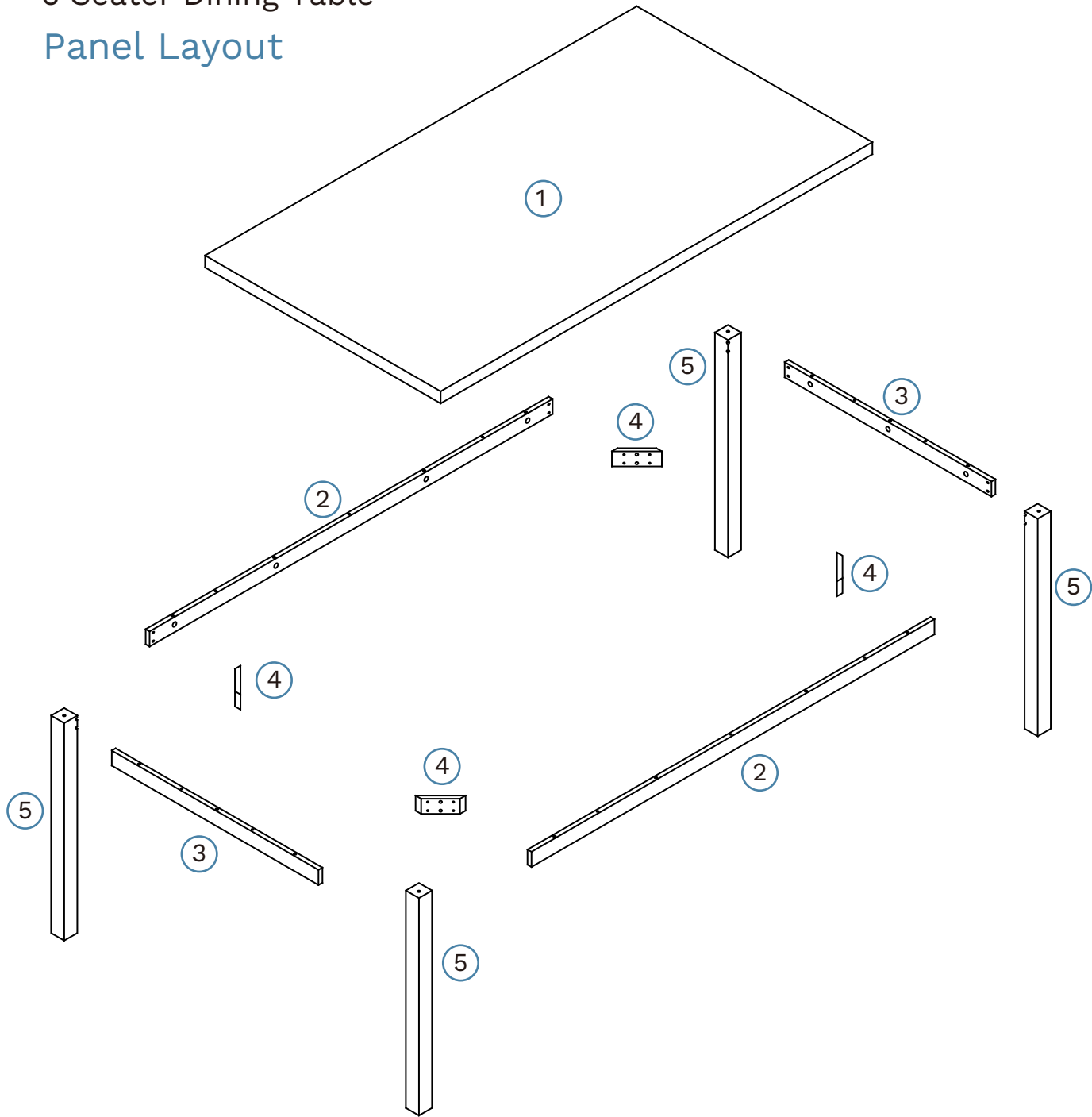
Thank you for your purchase. Please follow the instructions for correct assembly. While we took great effort to ensure these assembly instructions were correct at the time of printing, sometimes updates are required post production. For the most up to date versions please refer to the product page on our website. [mocka.com.au/mocka.co.nz](http://mocka.com.au/mocka.co.nz)



# Sadie

6 Seater Dining Table

## Panel Layout



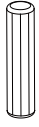
### Partlist

①	Top Panel	x1	④	Block	x4
②	Rail	x2	⑤	Leg	x4
③	Rail	x2			

# Sadie

6 Seater Dining Table

A



dowel  
x 4

B



screw  
x 16

C



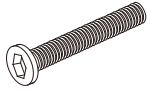
bolt  
x 14

D



locking  
nut x 14

E



bolt  
x 8

F



washer  
x 8

G



spring  
washer  
x 8

H



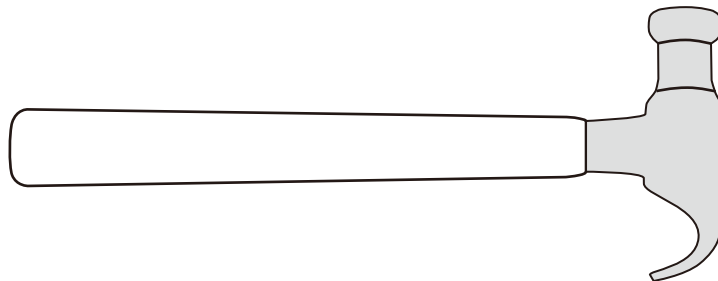
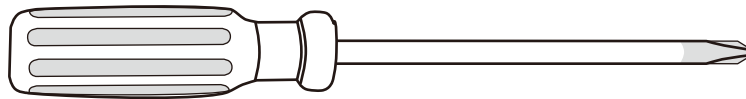
allen key  
x 1

I



plastic  
glide  
x 4

HARDWARE SUPPLIED



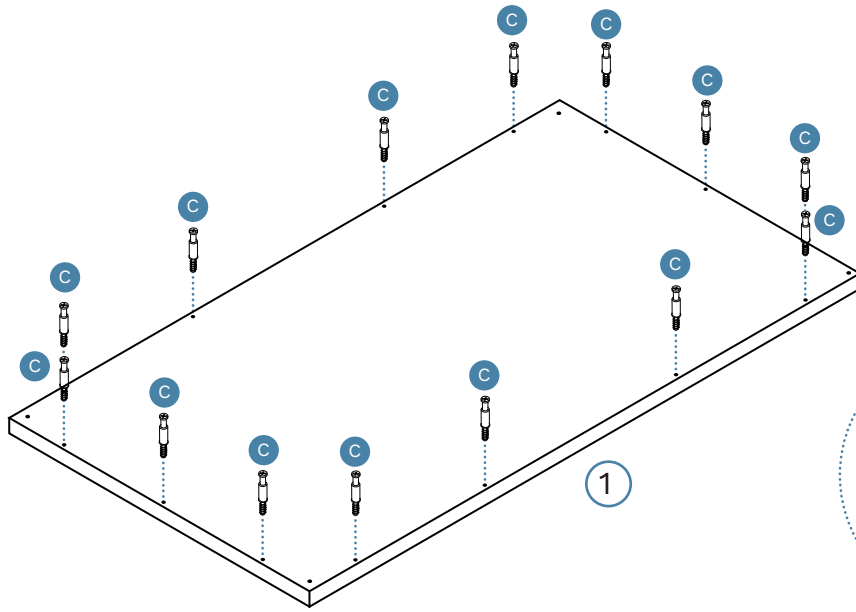
Phillips screwdriver and hammer required


**For quicker assembly, we recommend the use of a power drill on a low-speed setting.**

# Sadie

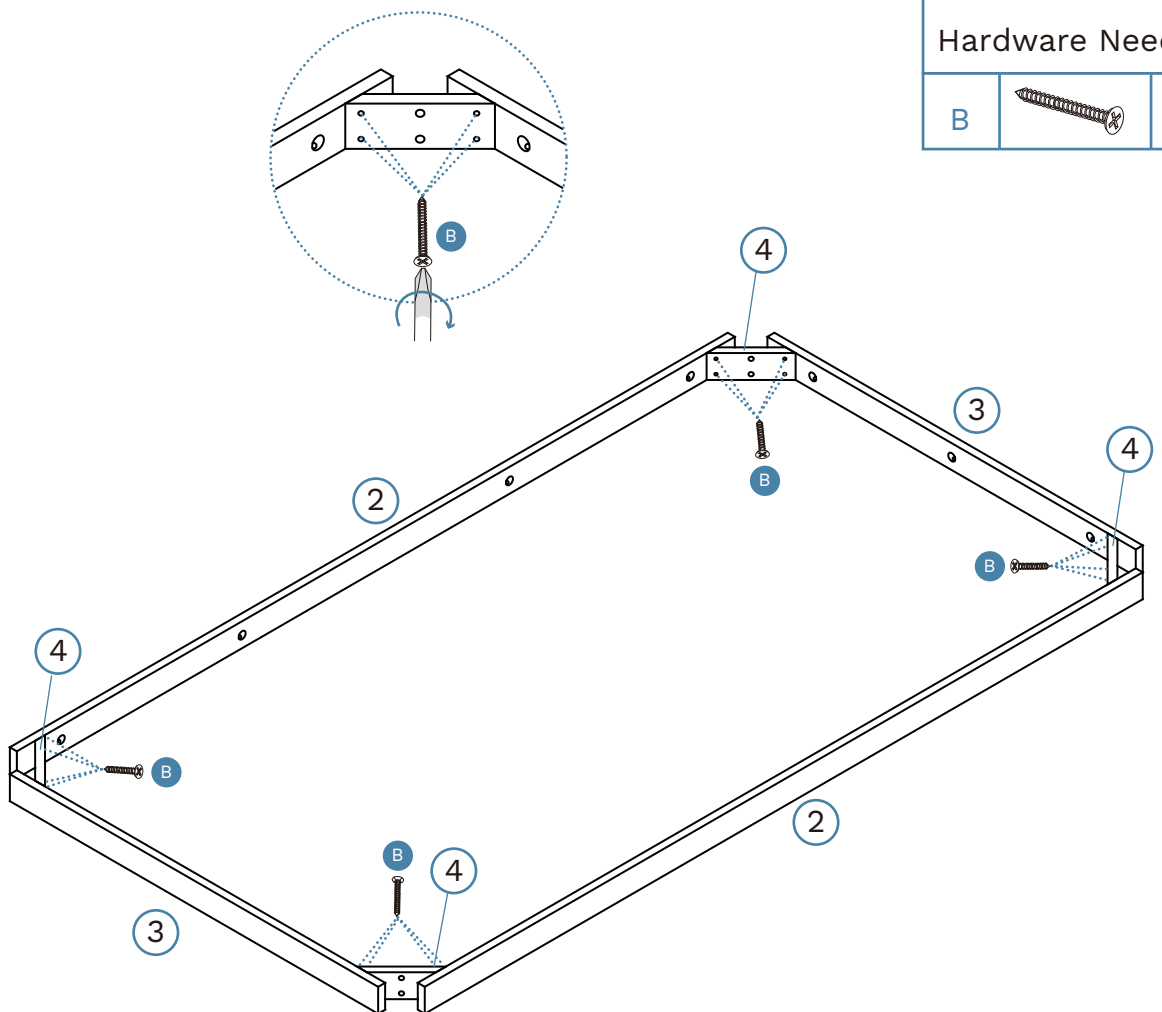
6 Seater Dining Table


1



Hardware Needed		
C		x14

2

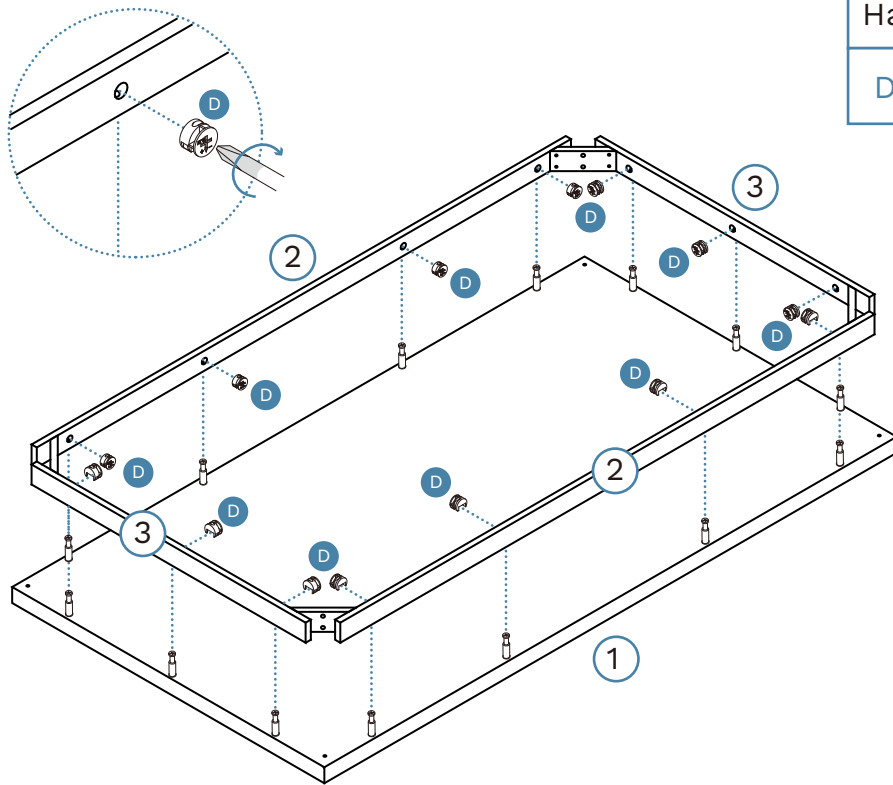


Hardware Needed		
B		x16

# Sadie

## 6 Seater Dining Table

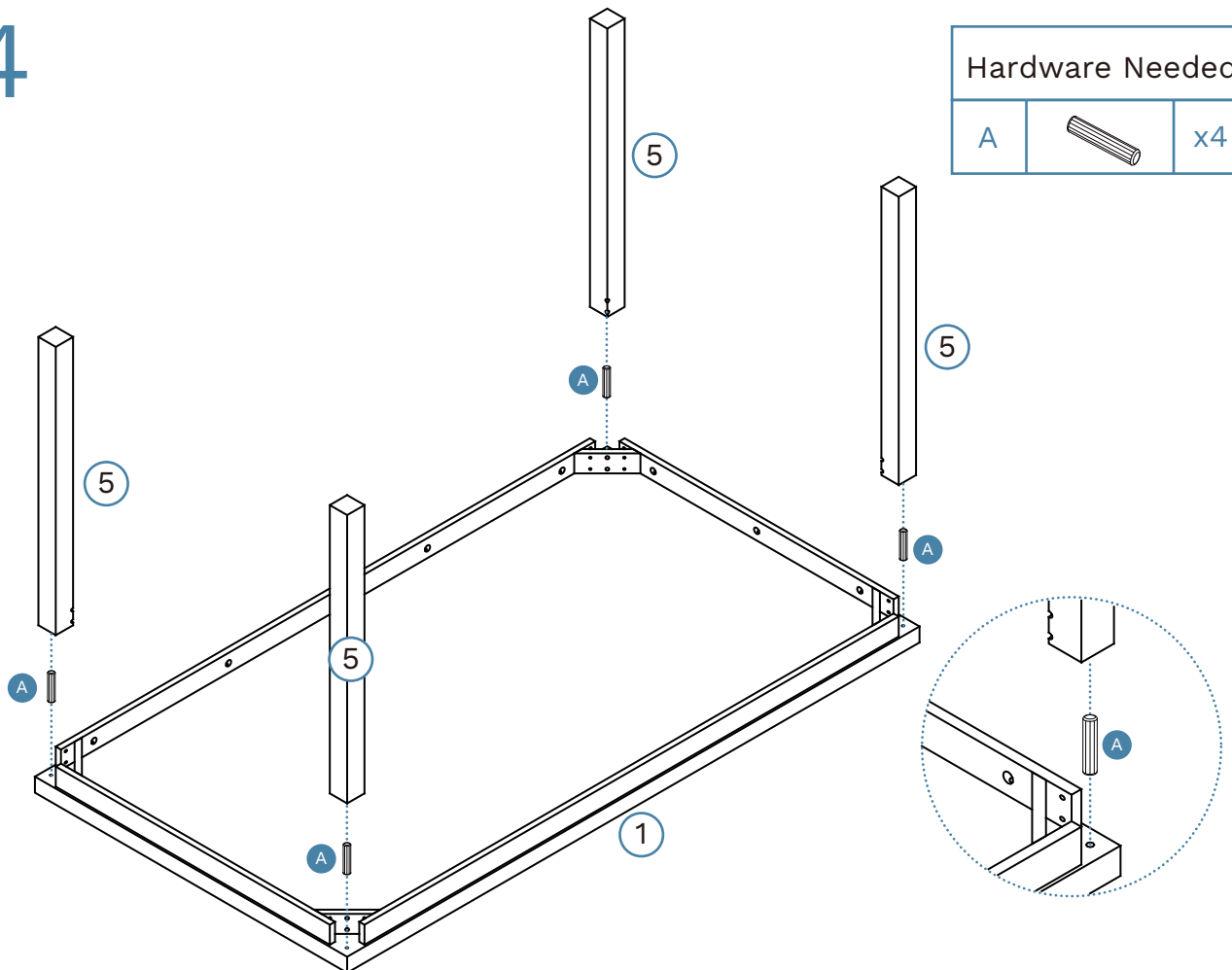
3




Hardware Needed

D		x14
---	---	-----

4



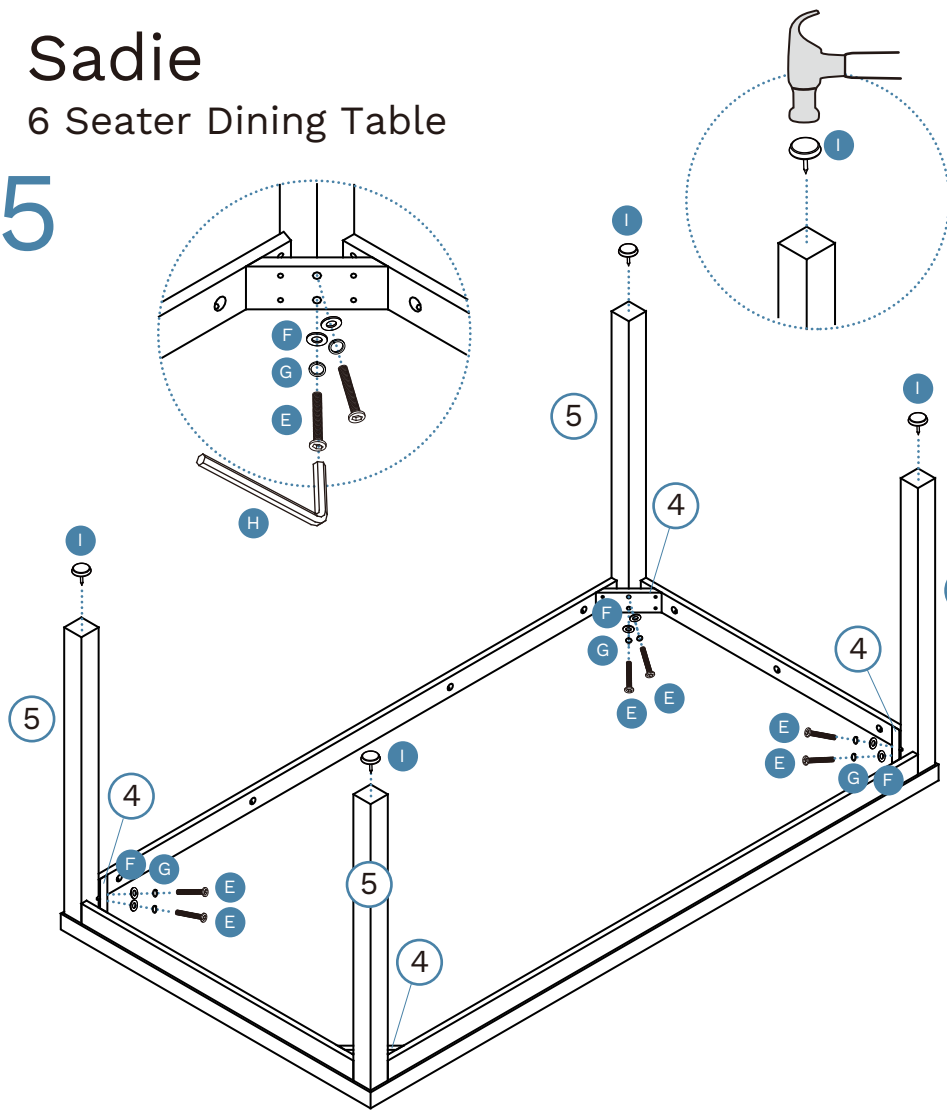
Hardware Needed






A		x4
---	---	----

# Sadie

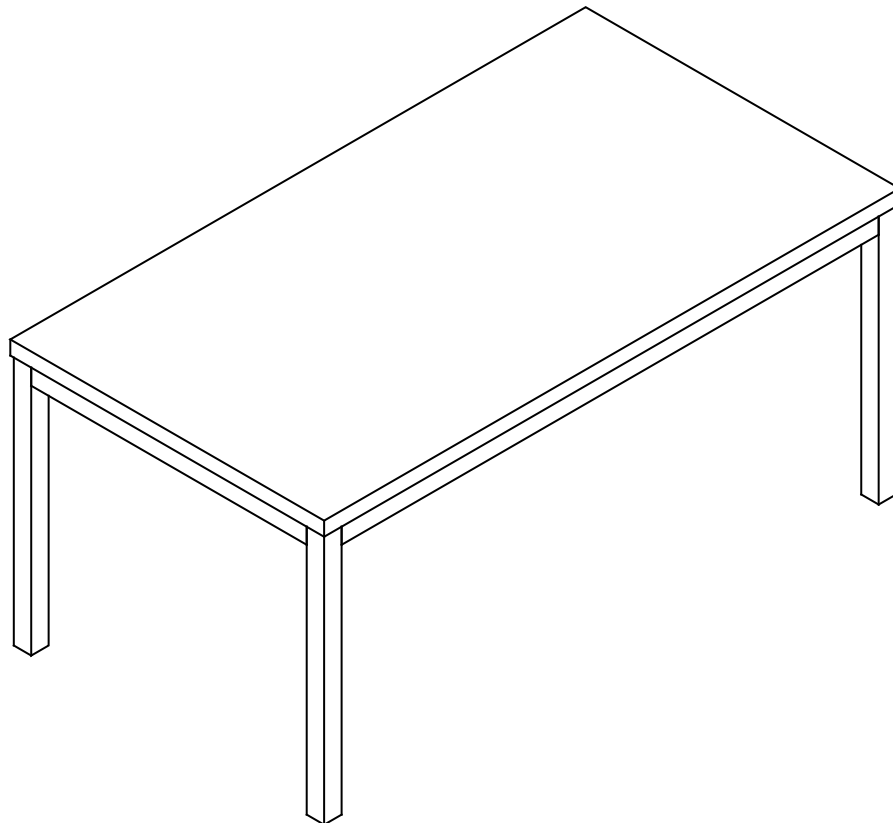
6 Seater Dining Table

5



Hardware Needed		
E		x8
F		x8
G		x8
H		x4
I		x4

6



Once assembled lift furniture into place, do not drag. You're done, enjoy!